

TECHNICAL FORM

Request a free sizing and quote for the most suitable propeller for your vessel



1. CLIENT

Name Phone Email

2. VESSEL

Model Weight Waterline Length

3. ENGINE

Engine model Maximum Power Engine Max RPM
 Gearbox mechanical hydraulic Reduction Ratio Propeller Max RPM

4. EXISTING PROPELLER (if present)

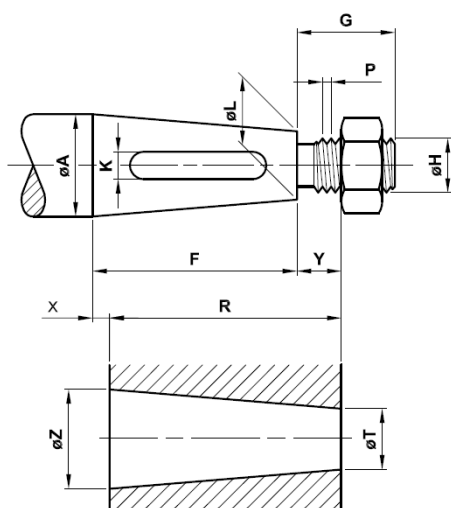
Type: fixed feathering folding
 Diameter Pitch Number of blades 2 3 4 5
 Eventual problems with the existing propeller

5. REQUESTED MAX PROP PROPELLER MODEL Easy/Whisper Boomerang Saildrive Antishock

6. CHARACTERISTICS OF REQUESTED MAX PROP PROPELLER

Diameter Number of blades 2 3 4 5
 Direction of rotation left-hand right-hand Coupling taper Saildrive

7. TAPERED SHAFT DIMENSIONS

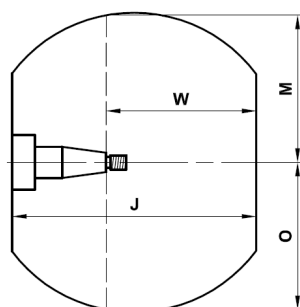


$\phi A =$ $G =$
 $F =$ $\phi H =$
 $\phi L =$ $P =$
 $K =$

Taper = 1 : $\frac{F}{A - L}$ ISO standard **1 : 10**
 English standard **1 : 12**
 SAE standard **1 : 16**
 Special **1 :**

If it is not possible to find this data, we will be glad to help you with the information at your disposal.

8. SPACE AVAILABLE



$M =$
 $O =$
 $W =$
 $J =$

MAX PROP SRL

Viale Carlo Spinasse, 101 - 20156 Milano - Italy | www.maxprop.it | info@maxprop.it
 Tel. +39 02.33.40.43.25 - Fax +39 02.38.000.791 | P.IVA 07610270154

